

PROJECT
PROPOSAL

Private & Confidential

24 Boat St, Victoria Point

Plumbing Specification



OUR BRANDS

 <p>Villeroy & Boch 1748</p>	<p>Tradition, quality & authenticity are the classic attributes of VILLEROY & BOCH. Founded in 1748, the ceramics manufacturer has developed into an international lifestyle brand with innovative power, style & design as the values which inspire people & give them the freedom to design their homes. Villeroy & Boch is represented in 125 countries around the world, with its headquarters located in Mettlach Germany.</p>	
	<p>Founded in 1952, BETTE is Germany's premium manufacturer of titanium based steel baths. By using raw materials of glass, water & steel, Bette create products in a large range of shapes and dimensions finished with an exceptionally brilliant surface, BetteGlaze®. Bette baths, shower trays and washbasins are at home in bathrooms, allowing the water area to unfold in its natural effect.</p>	
	<p>Hansa specialises in the manufacture of high-quality, innovative sanitary fittings for the bathroom and kitchen. The traditional company with headquarters in Stuttgart stands over a hundred years for the highest quality, functionality and unique design. "Experience water" is the philosophy that HANSA stands for. Its repertoire ranges from simple classics to award-winning designer mixers for exceptional bathroom worlds.</p>	
	<p>With more than 39 years experience in the kitchen market, Reginox stands for successful products. They know what customers want and what professionals expect - and anticipate their needs with innovative, quality products. Reginox combines experience with continuity. Reginox have always been there for you in the past and we will always be there for you in the future.</p>	
	<p>With over 80 years of expertise in manufacturing & supplying specialised fittings such as electronic & timer tapware & showers as well as solutions for urinals & toilets Schell are the number one choice for commercial developments including numerous; Airports, Hotels, Hospitals, Sports Stadiums, Offices, Aged-care Living, Childcare Centres, Education Facilities & Public Amenities.</p>	
	<p>Since 1958, ARGENT have been providing quality bathroom products, paying particular attention to the project & builder markets in Australia, designing products that are both innovative in design and practical in application. Argent's range of products provide the latest designs with ranges extending from toilet suites and basins to bathroom accessories, bathroom furniture and a range of tapware.</p>	





BACKED BY MANUFACTURER'S WARRANTY

BRAND WARRANTIES	PRODUCT CATEGORIES	WARRANTY PARTS	WARRANTY LABOUR
	TAPWARE/SHOWERS	15 years	2 years
	SANITARYWARE	10 years	1 year
	PREMIUM SOFT-CLOSING TOILET SEATS	10 years	Nil
	SOFT-CLOSING TOILET SEATS	3 years	Nil
	FLUSHING SYSTEMS	15 years	1 year
	FLUSH PLATES	5 years	Nil
	BATHS	10 years	1 year
	FURNITURE	10 years	1 year
	SINKS	10 years	1 year
	BATHS	30 years	2 years
	BASINS	30 years	2 years
	SHOWER TRAYS	30 years	2 years
	TAPWARE	15 years	2 years
	SHOWERS	15 years	2 years
	HOTEL WARRANTY	10 years	2 years
	STAINLESS-STEEL SINKS	Lifetime	1 year
	REGI-GRANITE SINKS	15 years	1 year
	REGI-COLOUR SINKS	5 years	1 year
	TAPWARE/VALVES	2 years	2 years
	MIXER TAPWARE	15 years	2 years
	DURACOLOUR TAPWARE	15 years	2 years
	SANITARYWARE	10 years	1 year
	FLUSHING SYSTEMS	15 years	1 year
	URINAL FLUSH VALVES	3 years	1 year
	FLUSH PLATES	5 years	Nil
	SHOWERS	15 years	2 years
	BATHS	10 years	Nil
	FURNITURE CABINETS PLATINUM	20 years	1 year
	FURNITURE CABINETS GOLD	10 years	1 year
	FURNITURE CABINETS SILVER	5 years	1 year
	ACCESSORIES	5 years	Nil
	HEATED TOWEL RAILS	5 years	Nil
SINKS	Lifetime	1 year	
	ACCESSORIES	10 years	Nil









Conditions apply, see website for full warranty details.

ARGENTAUST.COM.AU

PRODUCT SELECTION

IMAGE	PRODUCT DESCRIPTION	QTY		
KITCHEN				
	<p>KM422889BG Argent Grace Gooseneck Kitchen Mixer Pull Out Aerator Brushed Gold</p>  <p>WELS, 5 Star, 6LPM, Reg #: T34667</p>	12		
	<p>KS1067220 Argent Verve 670 1 & 3/4 Sink No Tap Hole</p> <p>440 x 670 x 200</p> 	12		









PRODUCT SELECTION

IMAGE	PRODUCT DESCRIPTION	QTY		
BATHROOM & ENSUITE				
	<p>BM244117BG Argent Grace Wall Mounted Basin/Bath Trim Brushed Gold</p>  <p>WELS, 6 Star, 4.5LPM, Reg #: T33614</p>	48		
	<p>BM240017BG Argent Wall Mounted Basin/Bath Mixer Body Round Brushed Gold</p> 	48		
	<p>NO27MUL00 Argent Grace 450 Round Vessel Basin No Tap Hole No Overflow 450 x 450</p> 	36		
	<p>K316-DBG Argent Pop Up Waste 40 - 32mm 2 Piece Brushed Gold</p> 	36		




PRODUCT SELECTION

IMAGE	PRODUCT DESCRIPTION	QTY		
	<p>FS736817 Argent Nova 1700 Oval Freestanding Bath Overflow 1,700 x 800 x 600</p> 	12		
	<p>SS272301BG Argent Pallas Shower system Brushed Gold</p>  WELS, 3 Star, 9LPM, Reg #: S12227	24		
	<p>SM324137BG Argent Grace Shower Mixer Trim Brushed Gold</p> 	24		
	<p>SM320037BG Argent Shower Mixer Body Round Brushed Gold</p> 	24		

PRODUCT SELECTION

IMAGE	PRODUCT DESCRIPTION	QTY		
	<p>8H16901S4B Argent Grace HygienicFlush Wall Faced Toilet S&P Trap</p>  <p>WELS, 4 Star, 3.4LPM, Reg #: L05187</p>	24		
	<p>IN38905 Argent Argent 80 In Wall Cistern - Mechanical</p>  <p>WELS, 4 Star, 3.5LPM, Reg #: L05256</p>	24		
	<p>IN38779BG Argent Round Flush Plate Brushed Gold</p> 	24		
	<p>AR93624BG Argent Mondrian Neu 600 Towel Rail Brushed Gold 600 x 30 x 80</p> 	48		

PRODUCT SELECTION

IMAGE	PRODUCT DESCRIPTION	QTY		
	<p>AR93686LBG Argent Mondrian Neu Toilet Roll Holder Left Hand Faced Brushed Gold 149 x 40 x 80</p> 	12		
	<p>AR93686RBG Argent Mondrian Neu Toilet Roll Holder Right Hand Faced Brushed Gold 149 x 40 x 80</p> 	12		



Grace Gooseneck Kitchen Mixer Pull Out Aerator

Brushed Gold

Product Image



Product Details

Code:	KM422889BG
Brand:	Argent
Range:	Grace
Warranty:	15 Years*
WELS:	5 Star 6.0 LPM, Reg #: T34667 (V)

Additional Features

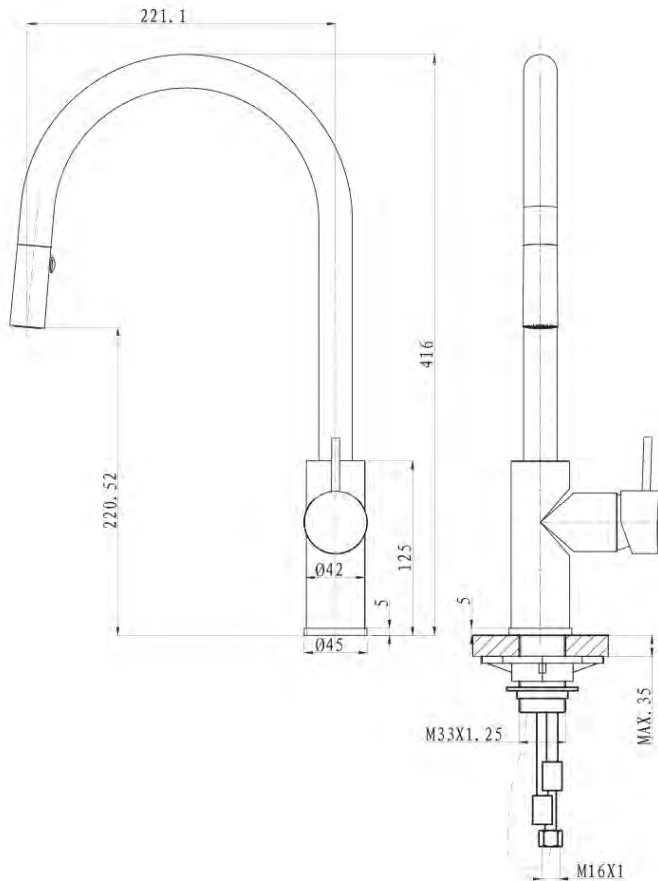
Technical Specification

Required Product

Recommended Products

Additional Notes

- 35mm European Ceramic Cartridge
- Quality PEX Connection Hoses
- Superior Flow Regulator



*Please visit argentaust.com.au/warranty to view the full warranty

Note: All dimensions are in millimetres and are subject to normal manufacturing variations. Always use the physical product measurements for cut-outs and rough-ins as the technical details shown may differ from the actual product. Use acetic cured silicone sealant. Do not use epoxy type adhesives. Clean with damp cloth. Do not use abrasive cleaners, liquids or pastes.





VERVE 670 1 & 3/4 SINK NO TAP HOLE

Product Image				Technical Specification	
FB120	DR102	DT104	AW100		
RM108	RM208	WS100	CL106	BG108	

Description	
Verve 670 1 & 3/4 Sink No Tap Hole	
KS1067220	Main & 3/4
KS1067220FDTB	Main & 3/4 including A B C

Additional Information
<ul style="list-style-type: none"> • Low Profile Edge • 304 Stainless Steel Soft Silk Matte Polish • Topmount & Undermount • 28/20 Litre Capacity • Suits 700 Carcass or larger
<p>INSTALLATION DISCLAIMER ALL TEMPLATES, LINE DRAWINGS & ELECTRONIC FILES ARE SUPPLIED AS A GUIDE ONLY. PLEASE CROSS CHECK WITH ACTUAL BOWL BEFORE COMMENCING ANY CUTOUT AND ENSURE RADII ARE SUITABLE TO BENCHTOP MATERIAL TOLERANCES. ARGENT ACCEPTS NO RESPONSIBILITY FOR CUTOUT ERRORS.</p>





Grace Gooseneck Kitchen Mixer

Brushed Gold

Product Image



Product Details

Code:	KM424408BG
Brand:	Argent
Range:	Grace
Warranty:	15 Years*
WELS:	4 Star 6.5 LPM, Reg #: T33615 (V)

Additional Features

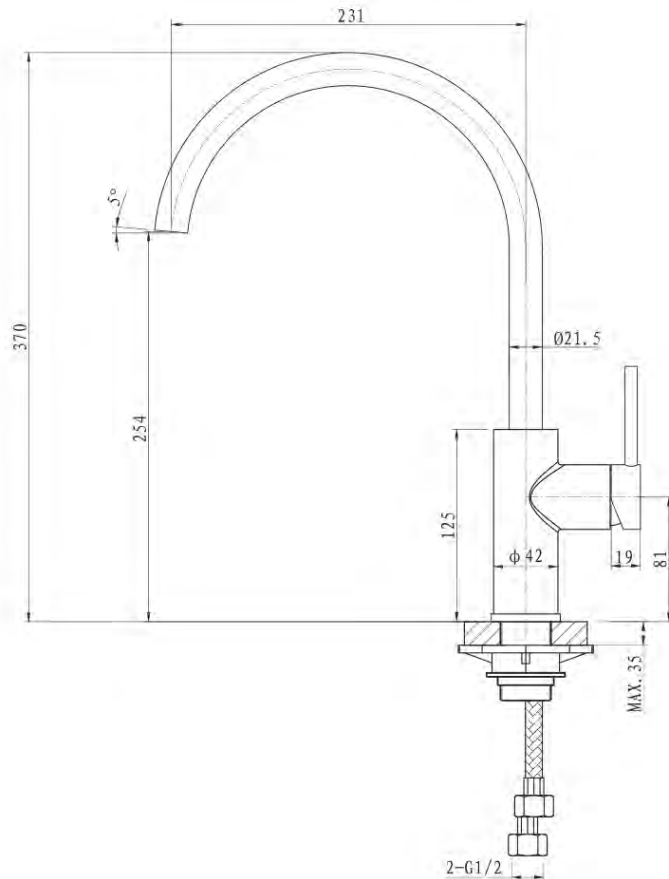
Technical Specification

Required Product

Recommended Products

Additional Notes

- 35mm European Ceramic Cartridge
- Quality PEX Connection Hoses
- Superior Flow Regulator



*Please visit argentaust.com.au/warranty to view the full warranty

Note: All dimensions are in millimetres and are subject to normal manufacturing variations. Always use the physical product measurements for cut-outs and rough-ins as the technical details shown may differ from the actual product. Use acetic cured silicone sealant. Do not use epoxy type adhesives. Clean with damp cloth. Do not use abrasive cleaners, liquids or pastes.





VERVE 490 SINK NO TAP HOLE

Product Image					Technical Specification
FB120	DR102	DT104	AW100		
RM108	RM208	WS100	CL106	BG228	

Description	
Verve 490 Sink No Tap Hole	
KS1049000	Maxi Bowl
KS1049000FDTB	Maxi Bowl including A B C

Additional Information
<ul style="list-style-type: none"> • Low Profile Edge • 304 Stainless Steel Soft Silk Matte Polish • Topmount & Undermount • 36 Litre Capacity • Suits 500 Carcass or larger
<p>INSTALLATION DISCLAIMER ALL TEMPLATES, LINE DRAWINGS & ELECTRONIC FILES ARE SUPPLIED AS A GUIDE ONLY. PLEASE CROSS CHECK WITH ACTUAL BOWL BEFORE COMMENCING ANY CUTOUT AND ENSURE RADII ARE SUITABLE TO BENCHTOP MATERIAL TOLERANCES. ARGENT ACCEPTS NO RESPONSIBILITY FOR CUTOUT ERRORS.</p>





Grace Wall Mounted Basin/Bath Trim

Brushed Gold

Product Image



Product Details

Code: BM244117BG
Brand: Argent
Range: Grace
Warranty: 15 Years*
WELS: 6 Star 4.5 LPM, Reg #: T33614 (V)

Additional Features

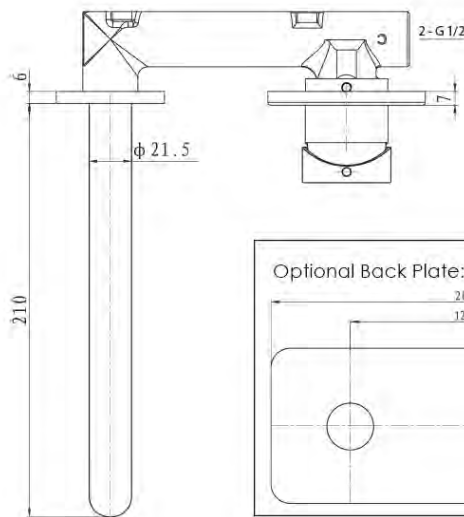
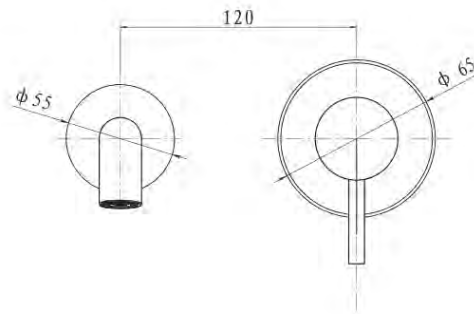
Required Product
 BM240017BG

Recommended Products
 Optional Rectangular Back Plate
 12-10076BG

Additional Notes

- 35mm European Ceramic Cartridge | Superior Flow Regulator

Technical Specification



*Please visit argentaust.com.au/warranty to view the full warranty

Note: All dimensions are in millimetres and are subject to normal manufacturing variations. Always use the physical product measurements for cut-outs and rough-ins as the technical details shown may differ from the actual product. Use acetic cured silicone sealant. Do not use epoxy type adhesives. Clean with damp cloth. Do not use abrasive cleaners, liquids or pastes.





Wall Mounted Basin/Bath Mixer Body Round

Brushed Gold

Product Image



Product Details

Code:	BM240017BG
Brand:	Argent
Range:	
Warranty:	15 Years*
WELS:	N/A

Additional Features

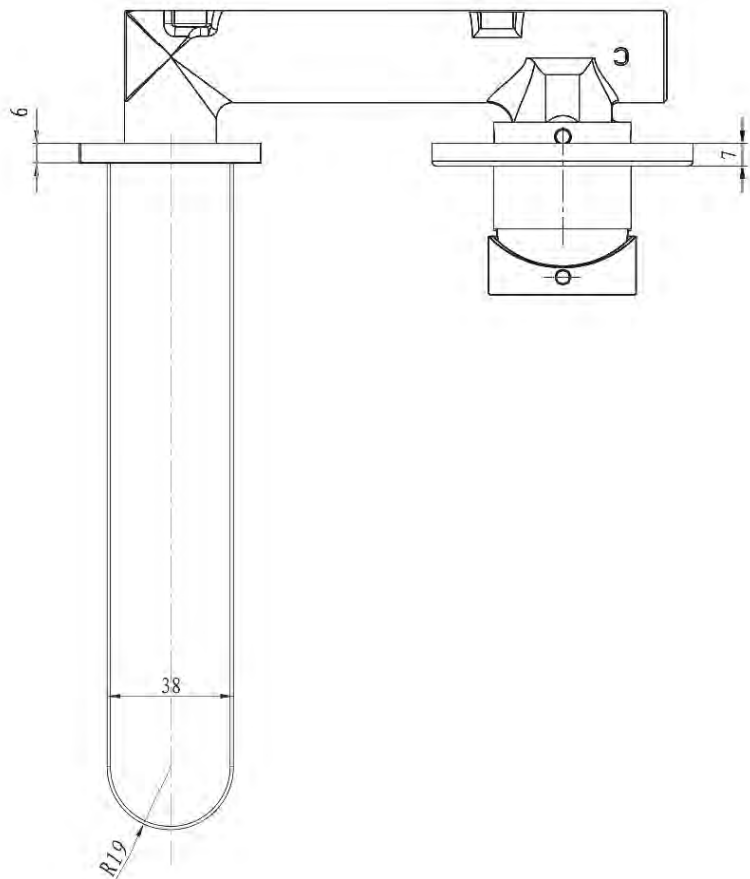
Technical Specification

Required Product

Recommended Products

Additional Notes

- 35mm European Ceramic Cartridge




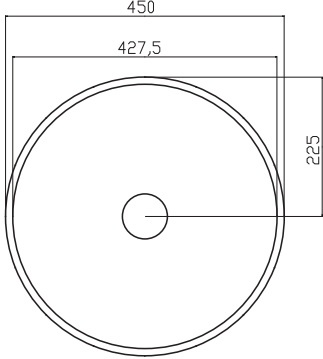
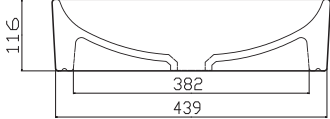
*Please visit argentaust.com.au/warranty to view the full warranty

Note: All dimensions are in millimetres and are subject to normal manufacturing variations. Always use the physical product measurements for cut-outs and rough-ins as the technical details shown may differ from the actual product. Use acetic cured silicone sealant. Do not use epoxy type adhesives. Clean with damp cloth. Do not use abrasive cleaners, liquids or pastes.





GRACE 450 ROUND COUNTER TOP BASIN NO TAP HOLE

Product Image	Technical Specification	
		

Description
<p>Grace 450 Round Counter Top Basin</p> <p>NO27MUL00 No Tap Hole</p>

Additional Information
<ul style="list-style-type: none"> • OD 450 mm x 450 mm • 3 Litre Water Capacity • Recommended Waste K316-D



Pop Up Waste 40 - 32mm 2 Piece

Brushed Gold

Product Image



Product Details

SKU:	K316-DBG
Brand:	Argent
Range:	Wastes & Traps
Warranty:	3 Years
Product Width:	N/A
Product Depth:	N/A
WELS:	N/A

Additional Features

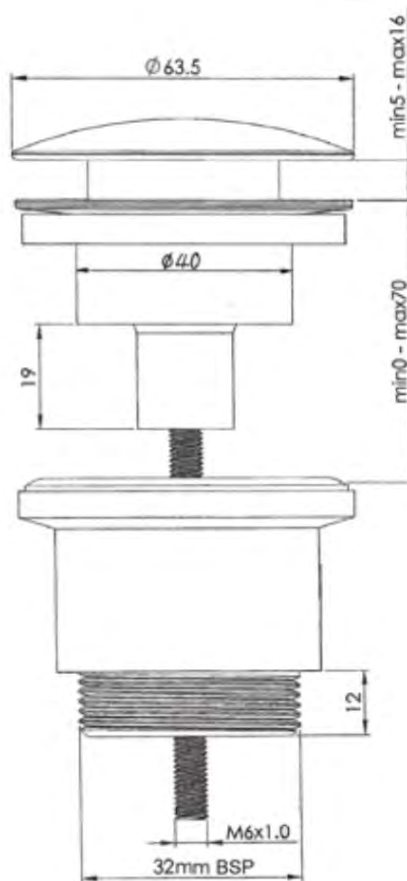
Required Product

Recommended Products

Additional Notes

* To Suit Overflow & No Overflow Basins

Technical Specification



Note: All dimensions are in millimetres and are subject to normal manufacturing variations. Always use the physical product measurements for cut-outs and rough-ins as the technical details shown may differ from the actual product. Use acetic cured silicone sealant. Do not use epoxy type adhesives. Clean with damp cloth. Do not use abrasive cleaners, liquids or pastes.



Nova 1700 Oval Freestanding Bath

Overflow

Product Image

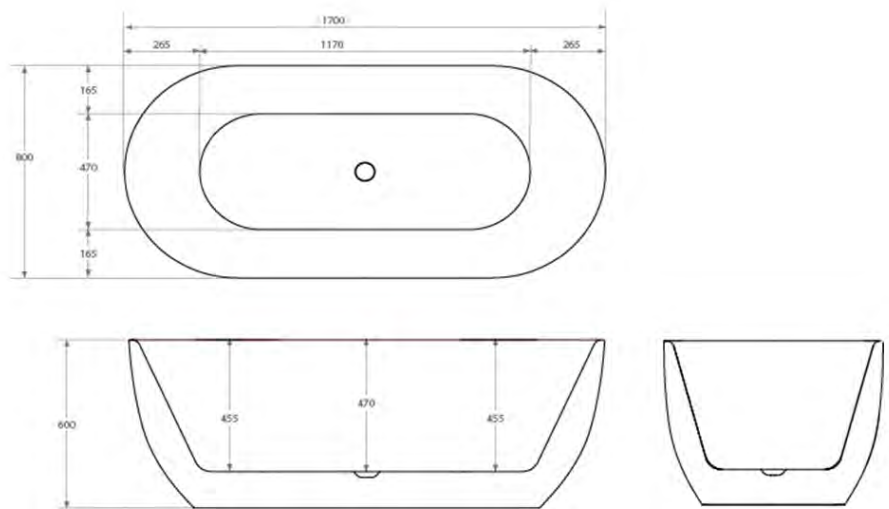


Product Details

Code:	FS736817
Brand:	Argent
Range:	Nova
Warranty:	10 Years*
Product Length:	1,700 mm
Product Width:	800 mm
Product Height:	600 mm
Litre Capacity:	300 L

Additional Features

Technical Specification



*Please visit argentaust.com.au/warranty to view the full warranty

Note: All dimensions are in millimetres and are subject to normal manufacturing variations. Always use the physical product measurements for cut-outs and rough-ins as the technical details shown may differ from the actual product. Use acetic cured silicone sealant. Do not use epoxy type adhesives. Clean with damp cloth. Do not use abrasive cleaners, liquids or pastes.



Pallas Shower system

Brushed Gold

Product Image



Product Details

Code:	SS272301BG
Brand:	Argent
Range:	Pallas
Warranty:	15 Years*
WELS:	3 Star 9.0 LPM, Reg #: S12227 (V)

Additional Features

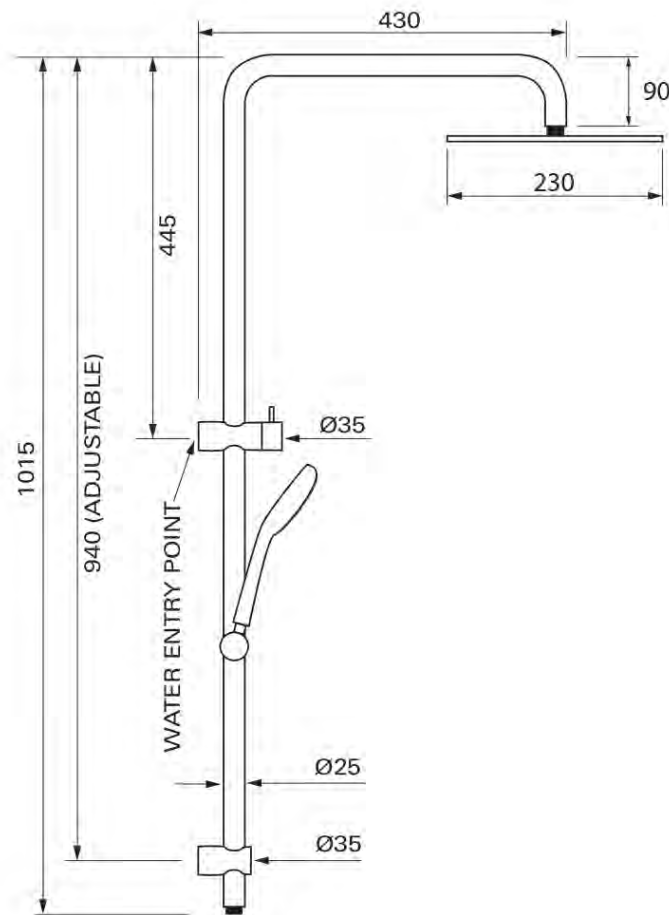
Technical Specification

Required Product

Recommended Products

Additional Notes

- 230mm Round Overhead
- 120mm 3 Function Handpiece
- 1500mm Shower Hose



*Please visit argentaust.com.au/warranty to view the full warranty

Note: All dimensions are in millimetres and are subject to normal manufacturing variations. Always use the physical product measurements for cut-outs and rough-ins as the technical details shown may differ from the actual product. Use acetic cured silicone sealant. Do not use epoxy type adhesives. Clean with damp cloth. Do not use abrasive cleaners, liquids or pastes.



Grace Shower Mixer Trim

Brushed Gold

Product Image



Product Details

Code:	SM324137BG
Brand:	Argent
Range:	Grace
Warranty:	15 Years*
WELS:	N/A

Additional Features

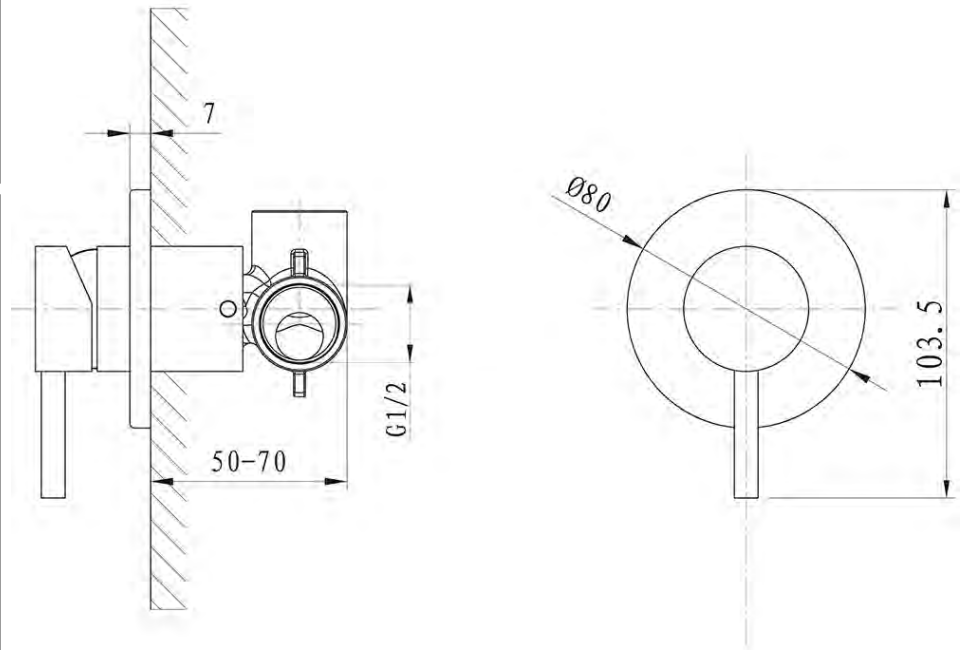
Technical Specification

Required Product
SM320037BG

Recommended Products

Additional Notes

- 35mm European Ceramic Cartridge



*Please visit argentaust.com.au/warranty to view the full warranty

Note: All dimensions are in millimetres and are subject to normal manufacturing variations. Always use the physical product measurements for cut-outs and rough-ins as the technical details shown may differ from the actual product. Use acetic cured silicone sealant. Do not use epoxy type adhesives. Clean with damp cloth. Do not use abrasive cleaners, liquids or pastes.





Shower Mixer Body Round

Brushed Gold

Product Image



Product Details

Code: SM320037BG
Brand: Argent
Range:
Warranty: 15 Years*
WELS: N/A

Additional Features

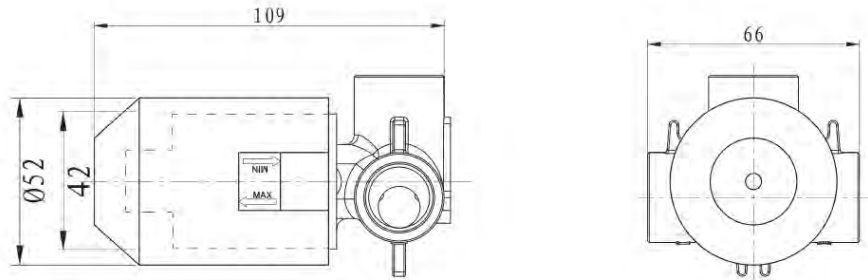
Technical Specification

Required Product

Recommended Products

Additional Notes

- 35mm European Ceramic Cartridge



*Please visit argentaust.com.au/warranty to view the full warranty


Note: All dimensions are in millimetres and are subject to normal manufacturing variations. Always use the physical product measurements for cut-outs and rough-ins as the technical details shown may differ from the actual product. Use acetic cured silicone sealant. Do not use epoxy type adhesives. Clean with damp cloth. Do not use abrasive cleaners, liquids or pastes.








GRACE WALL FACE PAN & SEAT


Product Image	Technical Specification
---------------	-------------------------




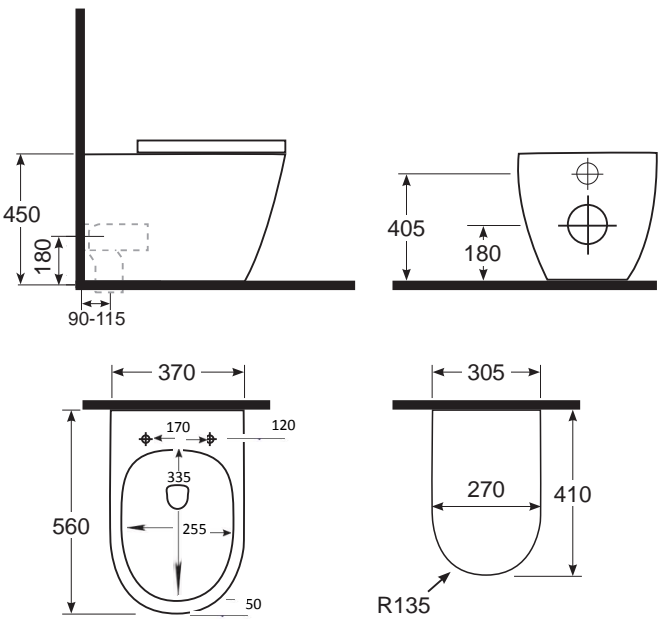



Hygienic
Flush


Complete
Clean


Even
Flush




Anti
Splash



Dimensions:

- Side View: Total height 450mm, seat height 180mm, base width 90-115mm.
- Top View: Overall width 370mm, rim width 120mm, inner width 170mm, bowl width 255mm, bowl depth 335mm, bowl radius 50mm.
- Front View: Rim width 305mm, bowl width 270mm, bowl height 410mm, bowl radius R135.

Description
<p>Grace Wall-Face Pan & Seat S & P-Trap with Soft Close Seat WELS 4 Star / 4.5/3 LPM</p> <p>8H16901S4B</p>

Additional Information
<ul style="list-style-type: none"> - Use with in-wall Flushing System - 10 Year Warranty on ceramics * Conditions apply - Hygienic Flush <div style="text-align: center; margin-top: 20px;">  <p>SOFT  CLOSE</p> </div>





Argent 80 In Wall Cistern - Mechanical

Product Image



Product Details

Code:	IN38905
Brand:	Argent
Range:	In Wall
Warranty:	#15 Years
WELS:	4 Star 3.5 LPM, Reg #: L05256

Additional Features

Required Product
Suitable matching pan

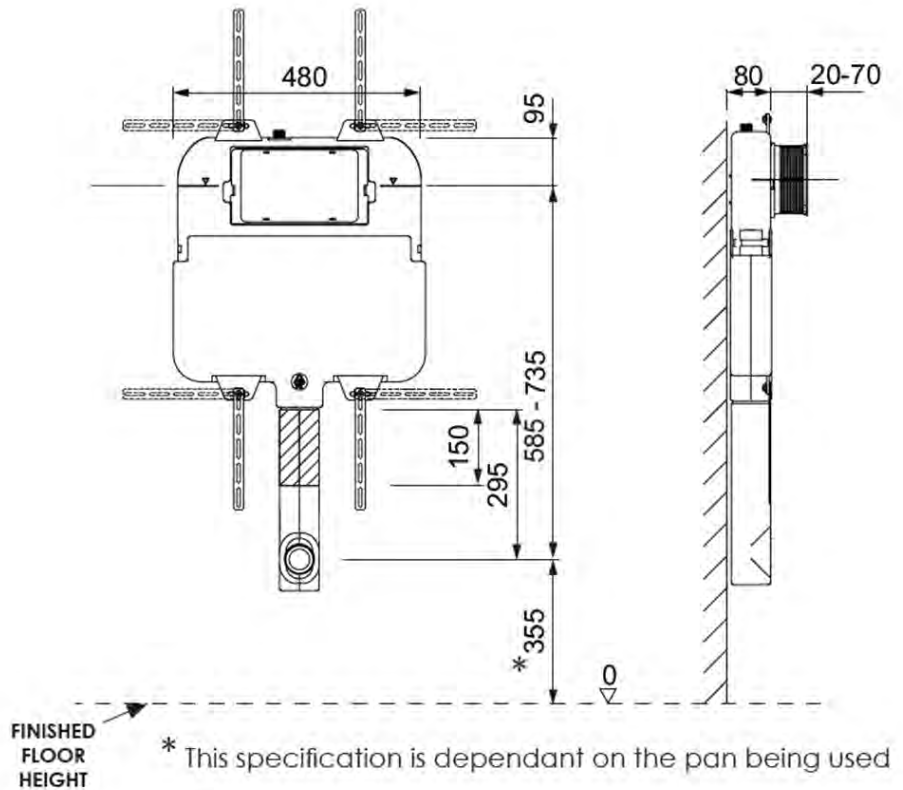
Recommended Products
Argent Wall faced Pan

Additional Notes

- Suits Kubic and Round and Edge Flush Plates
- Kubic and Round Flush Plates available in many popular colours

*Please visit argentaust.com.au/warranty to view the full warranty

Technical Specification



Note: All dimensions are in millimetres and are subject to normal manufacturing variations. Always use the physical product measurements for cut-outs and rough-ins as the technical details shown may differ from the actual product. Use acetic cured silicone sealant. Do not use epoxy type adhesives. Clean with damp cloth. Do not use abrasive cleaners, liquids or pastes.





Round Flush Plate

Brushed Gold

Product Image



Product Details

SKU:	IN38779BG
Brand:	Argent
Range:	Round
Warranty:	15 Years
WELS:	N/A

Additional Features

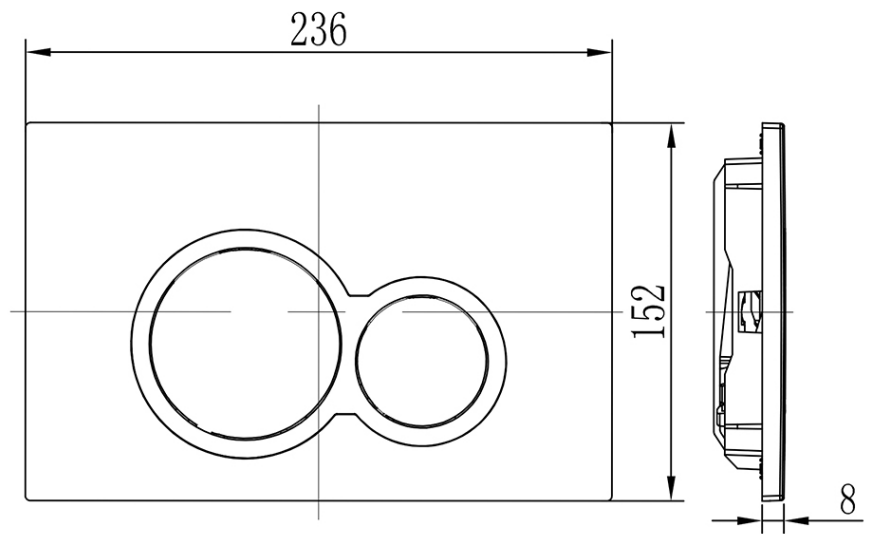
Technical Specification

Required Product

Recommended Products

Additional Notes

* Suits Argent In Wall Flushing Systems



Note: All dimensions are in millimetres and are subject to normal manufacturing variations. Always use the physical product measurements for cut-outs and rough-ins as the technical details shown may differ from the actual product. Use acetic cured silicone sealant. Do not use epoxy type adhesives. Clean with damp cloth. Do not use abrasive cleaners, liquids or pastes.





Mondrian Neu 600 Towel Rail

Brushed Gold

Product Image



Product Details

SKU:	AR93624BG
Brand:	Argent
Range:	Mondrian Neu
Warranty:	5 Years

Additional Features

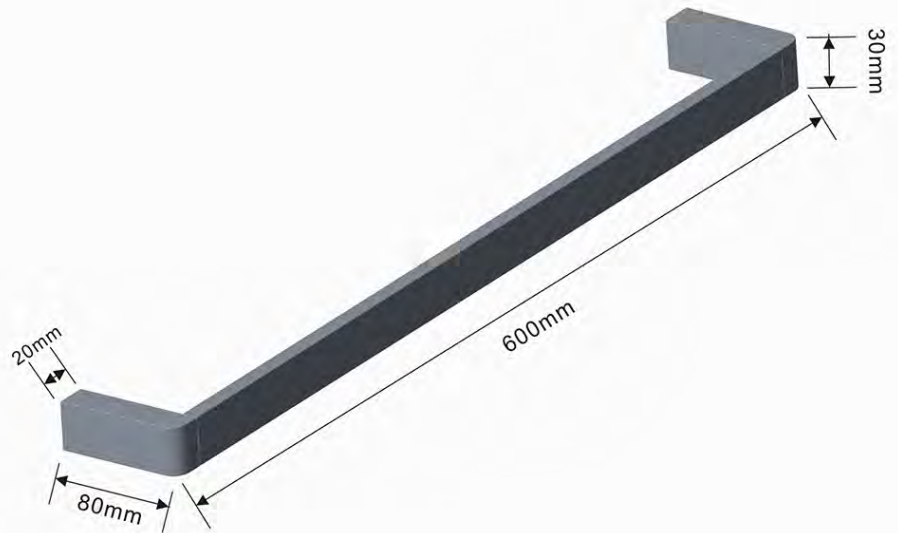
Required Product

Recommended Products

Additional Notes

* Dual Fixing

Technical Specification



Note: All dimensions are in millimetres and are subject to normal manufacturing variations. Always use the physical product measurements for cut-outs and rough-ins as the technical details shown may differ from the actual product. Use acetic cured silicone sealant. Do not use epoxy type adhesives. Clean with damp cloth. Do not use abrasive cleaners, liquids or pastes.





Mondrian Neu Toilet Roll Holder

Let Hand Faced | Brushed Gold

Product Image



Product Details

SKU: AR93686LBG
Brand: Argent
Range: Mondrian Neu
Warranty: 5 Years

Additional Features

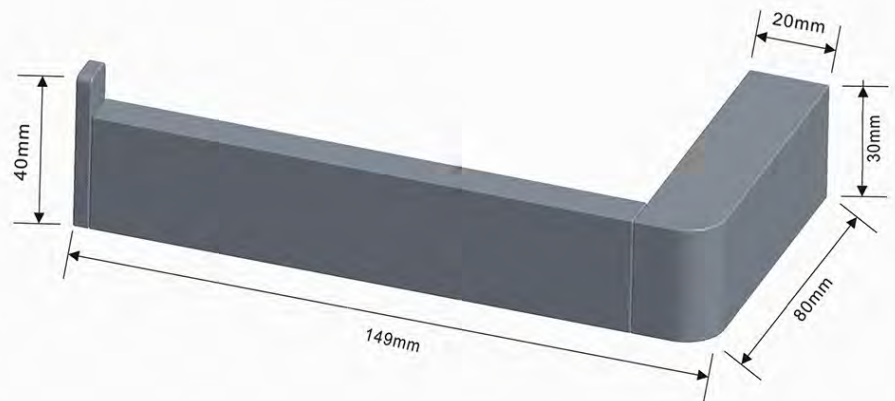
Required Product

Recommended Products

Additional Notes

* Dual Fixing

Technical Specification



Note: All dimensions are in millimetres and are subject to normal manufacturing variations. Always use the physical product measurements for cut-outs and rough-ins as the technical details shown may differ from the actual product. Use acetic cured silicone sealant. Do not use epoxy type adhesives. Clean with damp cloth. Do not use abrasive cleaners, liquids or pastes.





Mondrian Neu Toilet Roll Holder

Right Hand Faced | Brushed Gold

Product Image



Product Details

SKU:	AR93686RBG
Brand:	Argent
Range:	Mondrian Neu
Warranty:	5 Years

Additional Features

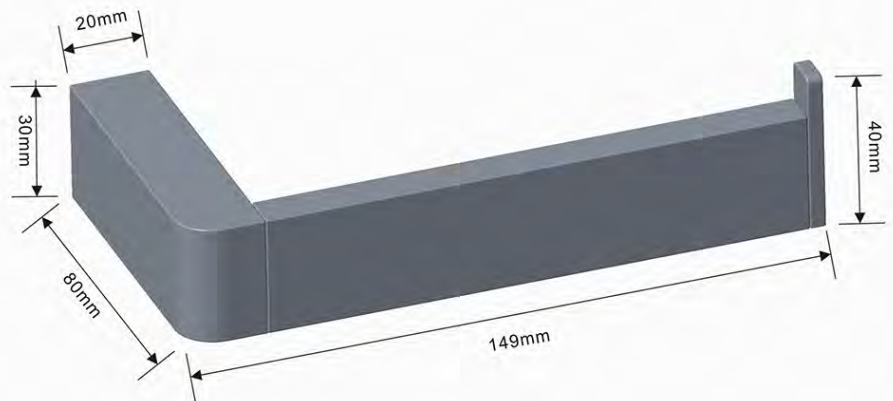
Required Product

Recommended Products

Additional Notes

* Dual Fixing

Technical Specification



Note: All dimensions are in millimetres and are subject to normal manufacturing variations. Always use the physical product measurements for cut-outs and rough-ins as the technical details shown may differ from the actual product. Use acetic cured silicone sealant. Do not use epoxy type adhesives. Clean with damp cloth. Do not use abrasive cleaners, liquids or pastes.



TALK TO YOUR ARGENT SPECIALIST

For further information about any of the products listed in this proposal please contact your Argent Representative (details on front cover of this document) or alternatively contact us via:

Customer Central **1300 364 748**
Technical Support **1800 356 717**
Email **support@customer-central.com.au**

If you would like to see any of these items 'in the flesh' please let us know and we can arrange an appointment at one of our Argent Resource Centres.

These ARCs are specifically designed to cater for the needs of architects, interior designers, builders and specifiers. They provide an elegant landscape for you and your clients to view these products on display.

Come in to experience the quality & design behind all of our brands!



ARGENT RESOURCE CENTRES

Brisbane
Sydney
Melbourne
Perth

Level ONE/22 Arthur Street Fortitude Valley QLD 4006
1/17-33 Maddox Street Alexandria NSW 2008
198 Coventry Street South Melbourne VIC 3205
57 Collingwood Street Osborne Park WA 6017

ARGENTAUST.COM.AU

TALK TO YOUR ARGENT SPECIALIST

For further information about any of the products listed in this proposal please contact your Argent Representative (details on front cover of this document) or alternatively contact us via:

Customer Central **1300 364 748**
Technical Support **1800 356 717**
Email **support@customer-central.com.au**

If you would like to see any of these items 'in the flesh' please let us know and we can arrange an appointment at one of our Argent Resource Centres.

These ARCs are specifically designed to cater for the needs of architects, interior designers, builders and specifiers. They provide an elegant landscape for you and your clients to view these products on display.

Come in to experience the quality & design behind all of our brands!



ARGENT RESOURCE CENTRES

Brisbane
Sydney
Melbourne
Perth

Level ONE/22 Arthur Street Fortitude Valley QLD 4006
1/17-33 Maddox Street Alexandria NSW 2008
198 Coventry Street South Melbourne VIC 3205
57 Collingwood Street Osborne Park WA 6017

ARGENTAUST.COM.AU